

Low Voltage Power Factor Correction C-VAr Tray Range

The VArComp[®] C-VAr Tray range of modular power factor correction capacitor trays has been specifically designed for the modern systems manufacturer. The tray's extremely compact size and light weight enables ease of installation within any

suitable PFC compartment and can be readily fitted within minutes to any electrical panel, including:

- Switchgear
- Package substations
- Motor control centres
- Distribution boards
- Control panels, etc.

Pre-assembled quality proven components including 3-phase capacitors, inrush-limiting contactors and fuse protection with staggered main busbar terminals provide a quick and easy method of installation.

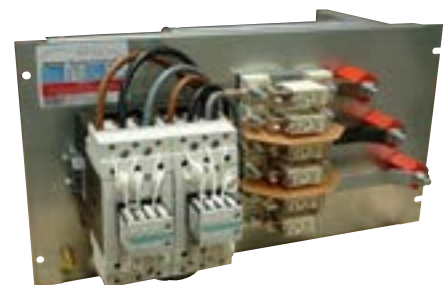
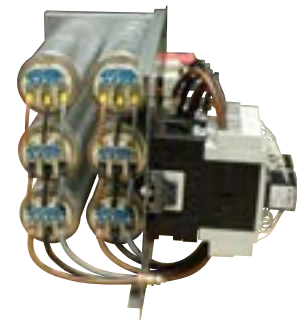
The total required kVAr output of any system may be easily achieved by the simple interconnection of trays designed to allow straight-through busbar connections helping to maintain equipment fault- ratings.

Standard outputs are available in multiples of 25kVAr up to and including 100kVAr with capacitor dielectric ratings of 440V or 525V derated.

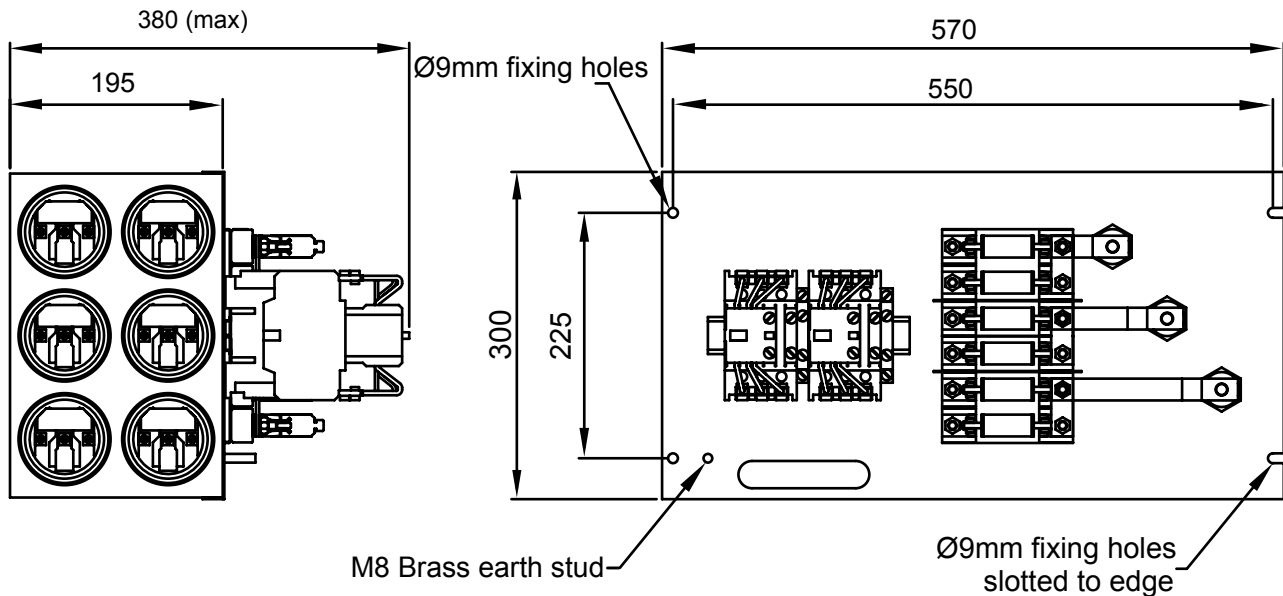
(Other voltages and outputs are available upon request)

Capacitor-switching contactors with current inrush limiting pre-insertion resistors to reduce switching transients and increase equipment longevity are fitted as standard with a choice of coil voltages.

Please see reverse for C-VAr Tray Range Summary Specification or contact one of our technical sales engineers for assistance - we will be pleased to help, whatever your capacitor requirements.



VArComp® C-VAr® Tray Range - Summary Specification



Capacitor dielectric voltage:

440Vac; 525Vac
(≤ 690Vac on request)

Rated frequency:

50/60Hz

Capacitance tolerance:

-5% +10%

Discharge resistors:

≤ 50V within 60secs
(UL standard 810)

Capacitor Losses:

Approx 0.35W/kVAR
(inc. discharge resistors)

Ambient

temperature category:

-25/D; -25°C (max);
highest mean:
45°C/24hrs; 35°C/1yr

Safety features:

Self-healing dielectric;
overpressure tear-off fuse

Impregnating agent:

ESTAprop® mineral oil,
non-toxic biodegradeable (non- PCB)
ESTAdry® dry/gas filled on request

Statistical life expectancy:

>150,000 operating hours (ESTAprop®)
>130,000 operating hours (ESTAdry®)

Capacitor Standards:

IEC 831-1+2; VDE 0560-46+47;
EN 60831-1+2; 89/336/EWG;
92/31/EWG; 93/68/EWG; UL & ULc; CE

VArComp® Type Ref/ kVAR Stages	Approx Weight kg		Approx Losses (W)	Dims(mm) H x W x D
	440V dielectric	525V dielectric		
C-VAr® T25/1x25	8.5	10.0	12.5	300x570x380
C-VAr® T50/1x50	12.0	13.5	25.0	
C-VAr® T50/2x25	11.0	15.0	25.0	
C-VAr® T75/1x50/1x25	14.5	18.0	37.5	
C-VAr® T100/2x50	17.5	21.0	50.0	

Contact coil voltages (ac): 110V; 240V; 415V (50/60Hz) Other voltages and outputs are available upon request Please contact one of our technical sales engineers for assistance. We will be pleased to help whatever your reactive power requirements.

Contact Enspect Power

T: +44 (0) 845 057 1188
F: +44 (0) 174 463 4795
E: info@enspecpower.com
W: www.enspecpower.com

North East Offices
Glover Network Centre • Spire Road
Washington • Tyne & Wear • NE37 3HB
United Kingdom

North West Offices
29-31 Shaw Street • St.Helens
Merseyside • WA10 1DG
United Kingdom

All details correct at time of print. In the interest of ongoing product development, we reserve the right to alter specification without prior notice.